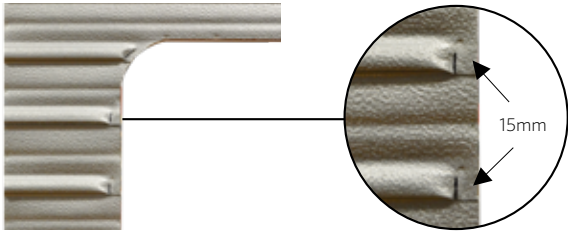
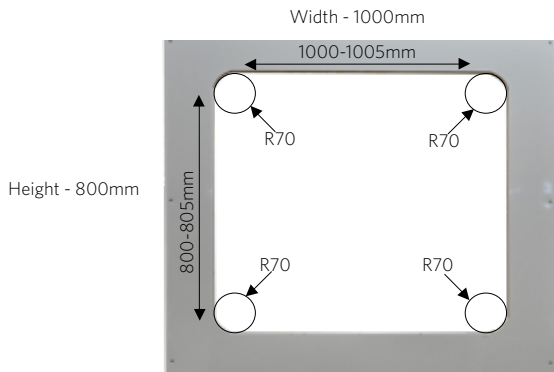


INSTALLATION GUIDE FOR NCE NUOVO™ WINDOW & BLIND SET



NCE WINDOW NOMINATED SIZES RELATE TO THE CUT OUT SIZE FOR THE WINDOW MAIN FRAME

- CUT OUT sizes will allow a tolerance allowance of +2 / +6mm
- Example - 1000x800 window size will allow a CUT OUT size of 1000mm - 1005mm x 800mm - 805mm
- CUT OUT must be parallel at vertical and horizontal positions with variance <2mm from corner to corner
- Radius cut in each corner - R70 (70mm)

PREPARE OUTER SIDE OF CARAVAN / RV FOR WINDOW INSTALLATION.

1. On cladding walls, flatten profile as required, or approx 15mm
2. Remove any swarf or material that will distort the flat installation of the window



NCE RECOMMENDS CLEANING THE INTERIOR WINDOW MAIN FRAME WITH A DILUTED SOLUTION OF CLEANING SOLVENT (I.E. PREP-SOL).

3. On the inner frame flange, apply either flexible silicone or flexible adhesive foam seal around the full perimeter
4. Wipe all excess Silicone from inner frame / trim foam seal to join with no overlap



INSTALLATION OF THE WINDOW TO CUTOUT.

5. From the exterior of the Caravan / RV, position the window into the CUT OUT opening and installing from the bottom first, push the window evenly into the cutout
6. NCE recommends the window be secured or held in place from the outside until clamp ring installation has commenced (and min 3 screws secured)

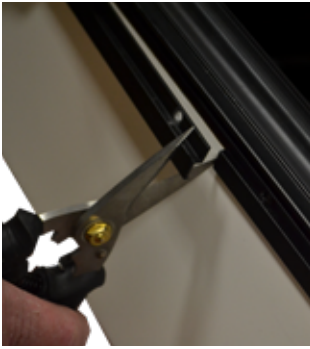
ATTACHMENT OF CLAMP RING TO WINDOW FRAME.

7. From the interior of the Caravan / RV, position the clamp ring, with the join at the bottom, into the window main frame and align the pre-punched screw hole on the clamp ring with the pre-punched screw holes on the main frame
8. With the supplied clamp ring screws, connect the top middle, RH 2nd highest and LH 2nd highest pre-punched holes of the clamp ring to the window main frame
9. Once the first 3 screws are secured, window will not need to be secured / held from the outside
10. Screw in place the clamp ring to the window main frame from the top to bottom, evenly left vertical and right vertical



The owner and supervisors of the Window/Blind are responsible to make all users aware of practices specified in the Installation Guide. Use only with mature, knowledgeable supervision. Enforce all safety rules. Modifications to the product constitute a safety hazard and may result in voiding your warranty.

INSTALLATION GUIDE FOR NCE NUOVO™ WINDOW & BLIND SET (CONT'D)



CLAMP RING MAY BE SLIGHTLY OVERSIZED. THIS IS TO ALLOW FOR 5MM TOLERANCE.

11. Prior to securing clamp ring fully, join the two bottom ends of clamp ring
12. If required, trim clamp ring to make even fit
13. Complete all securing points for clamp ring to window main frame

THE NCE WINDOW AND BLIND FRAME IS DESIGNED SO THE BLIND FITS NEATLY INTO THE CLAMP RING CHANNEL.



14. Once clamp ring and mainframe are fully secured, install window blind and flyscreen
15. When fitting blind frame, ensure all corners are seated neatly into the clamp ring channel or aligned with channel corner
16. Secure window frame to wall. Ensure the tension springs are seated neatly in the corner join, using supplied screws, attached top LH corner to wall. Corner join has pre-positioned screw hole
17. Secure all corners of the blind frame to the wall, ensuring that the blind frame corners, vertical and horizontal frame are fitting neatly into the clamp ring channel or aligned with the clamping channel



NCE WINDOW BLIND FRAME CORNERS & COVER CAPS ARE MARKED WITH R OR L.

18. Match the cover cap to the corner
19. Push on blind frame cover caps
20. Ensuring there is no obstructions, push cover cap on evenly onto the frame corner and ensure the cap is secured tightly
21. Complete all 4 corners
22. Remove plastic protection film from vertical and horizontal frame



TEST WINDOW AND BLIND OPERATION

23. NCE recommends that all window locks are opened and closed, window panel is opened and window stays are checked for smooth operation and to lock in position
24. Ensure that window frame panel does not 'rub' against window main frame, and there are no visible gaps between window panel frame and window main frame when full secured and locked
25. Test blind operation. Pull window flyscreen up and down, Push window blind material panel up and down. Make sure operation is smooth
26. Join together flyscreen and window horizontal aluminium rail together to ensure magnet strip secures as required
27. Clean window and interior blind frame as required

The owner and supervisors of the Window/Blind are responsible to make all users aware of practices specified in the Installation Guide. Use only with mature, knowledgeable supervision. Enforce all safety rules. Modifications to the product constitute a safety hazard and may result in voiding your warranty.